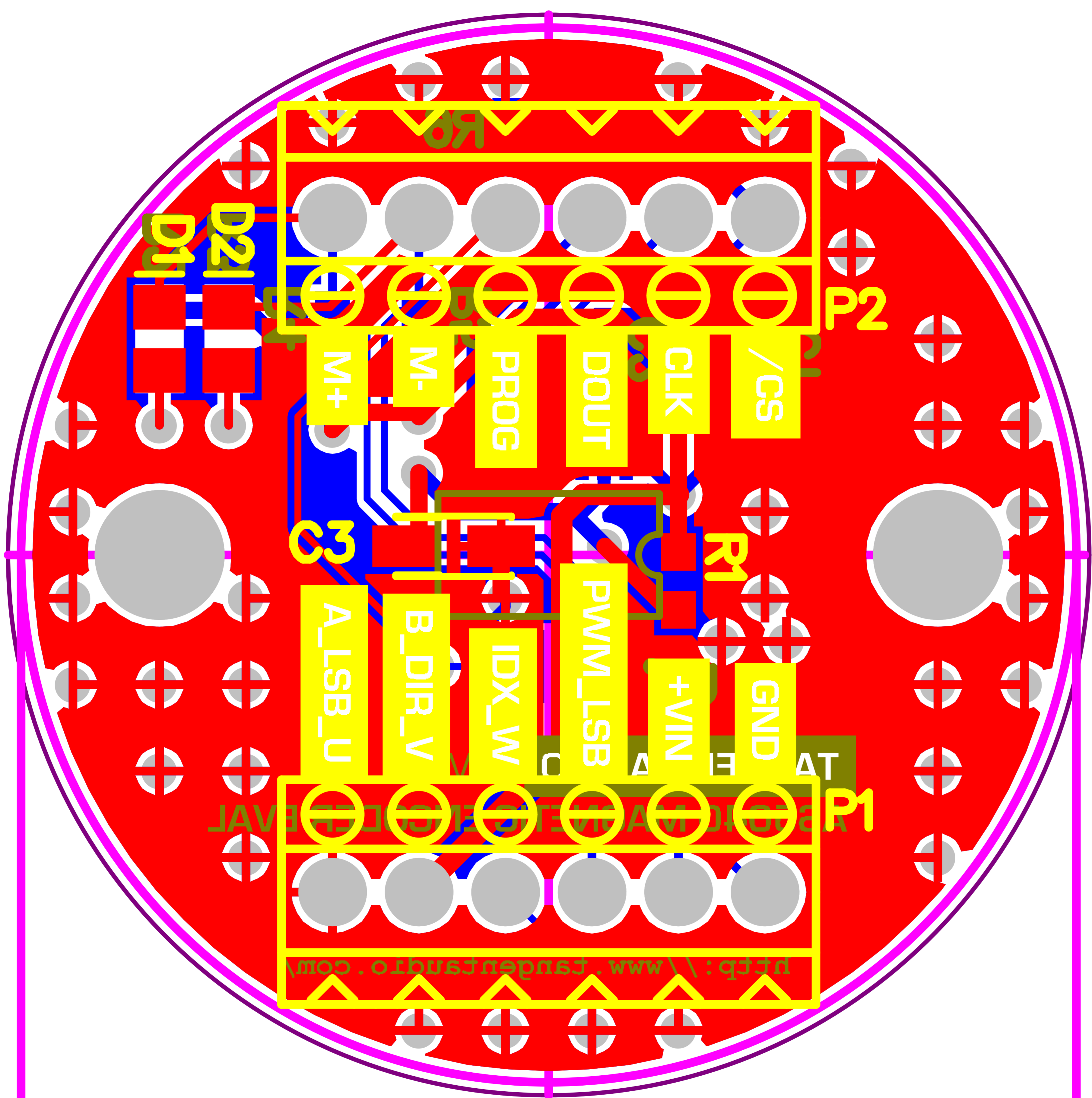


Title		
AS5040 Magnetic Rotary Encoder Eval Board		
Size	Number	Revision
B		1.0
Date:	3/10/2012	Sheet 1 of 1
File:	\\.\magencoder.SchDoc	Drawn By: SSR



∅ 1220.00